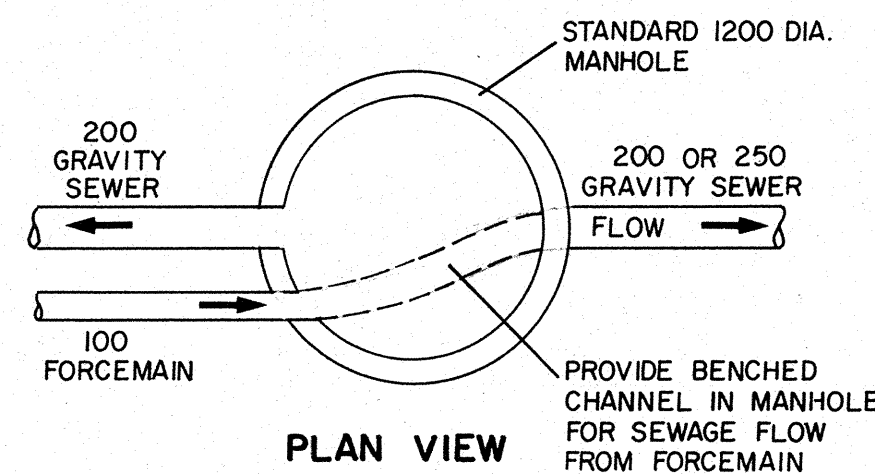


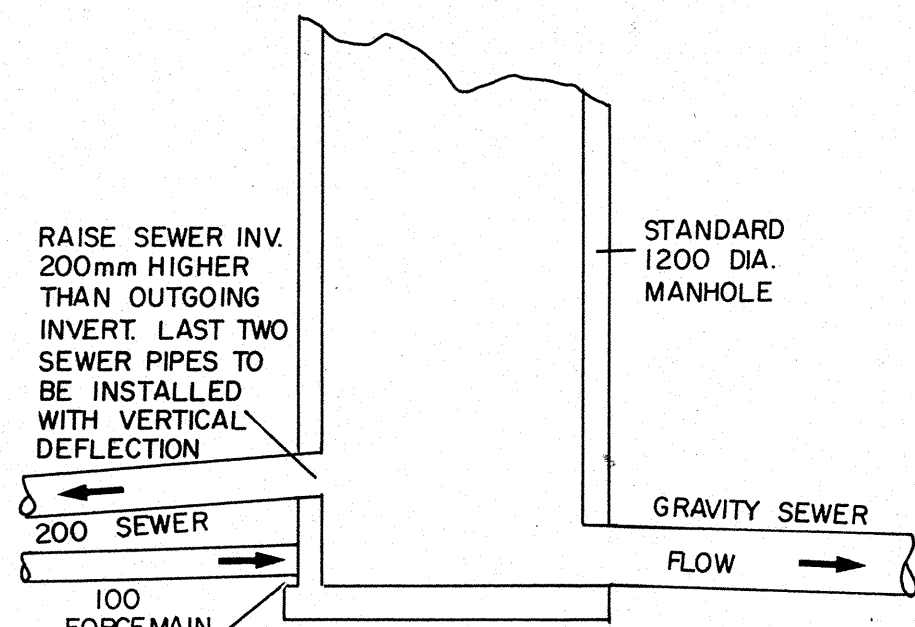
1. PIPE IN THIS SECTION TO BE OFFSET AROUND MANHOLE BARREL
2. PIPE TO BE INSTALLED ACCORDING TO MANUFACTURER'S RECOMMENDATIONS USING SHORT SECTIONS
3. MANHOLE MAY BE OFFSET FROM PIPE CENTRE LINE TO ASSIST IN INSTALLATION OF PRESSURE PIPE

TYPICAL TWO PIPE INSTALLATION AT MANHOLE

N.T.S.



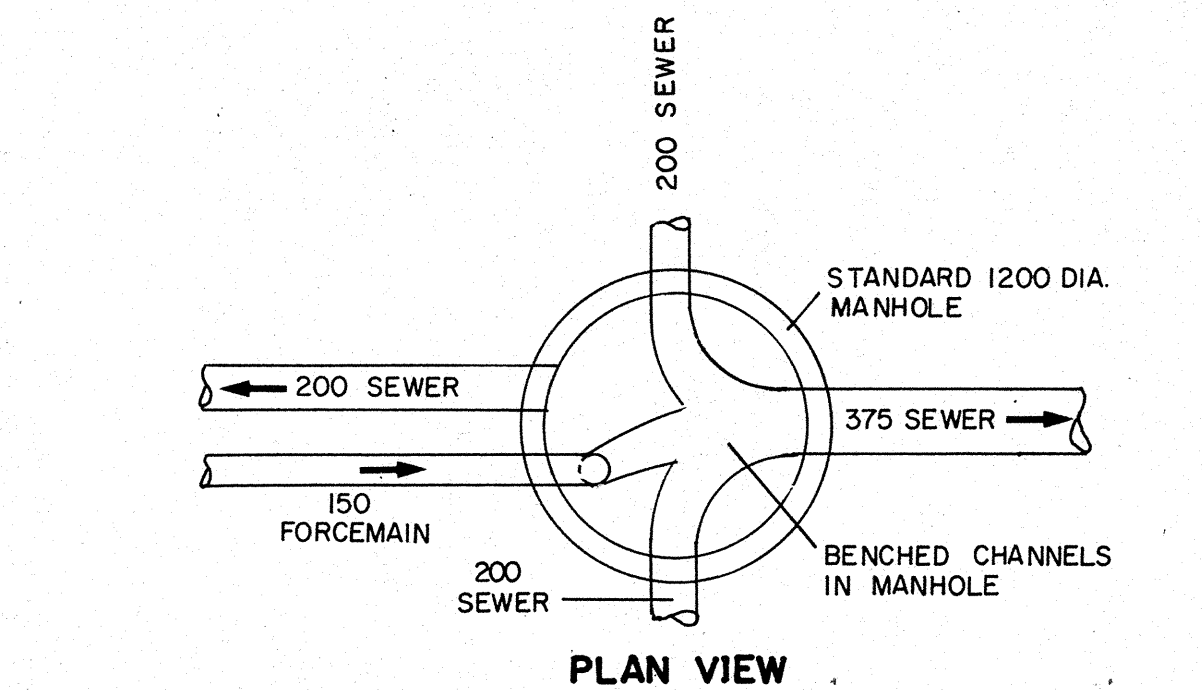
PLAN VIEW



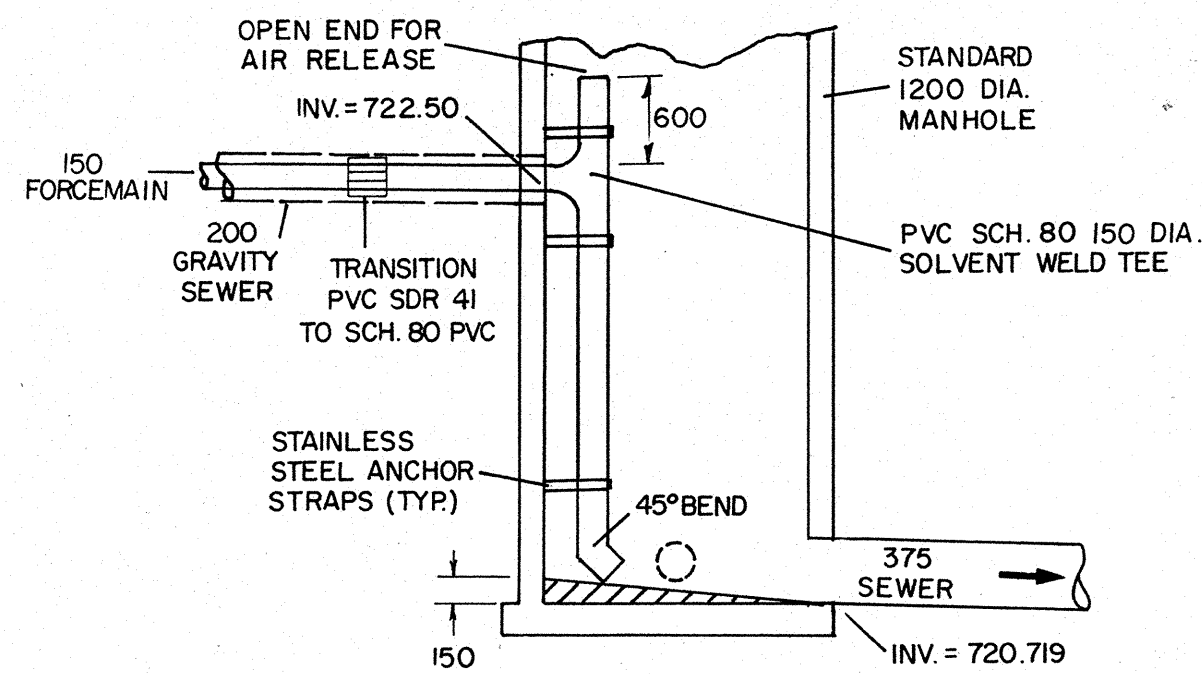
ELEVATION VIEW

FORCEMAIN/MANHOLE TIE-IN DETAIL FOR MANHOLES 13, 27, 302, 313 AND 321

N.T.S.



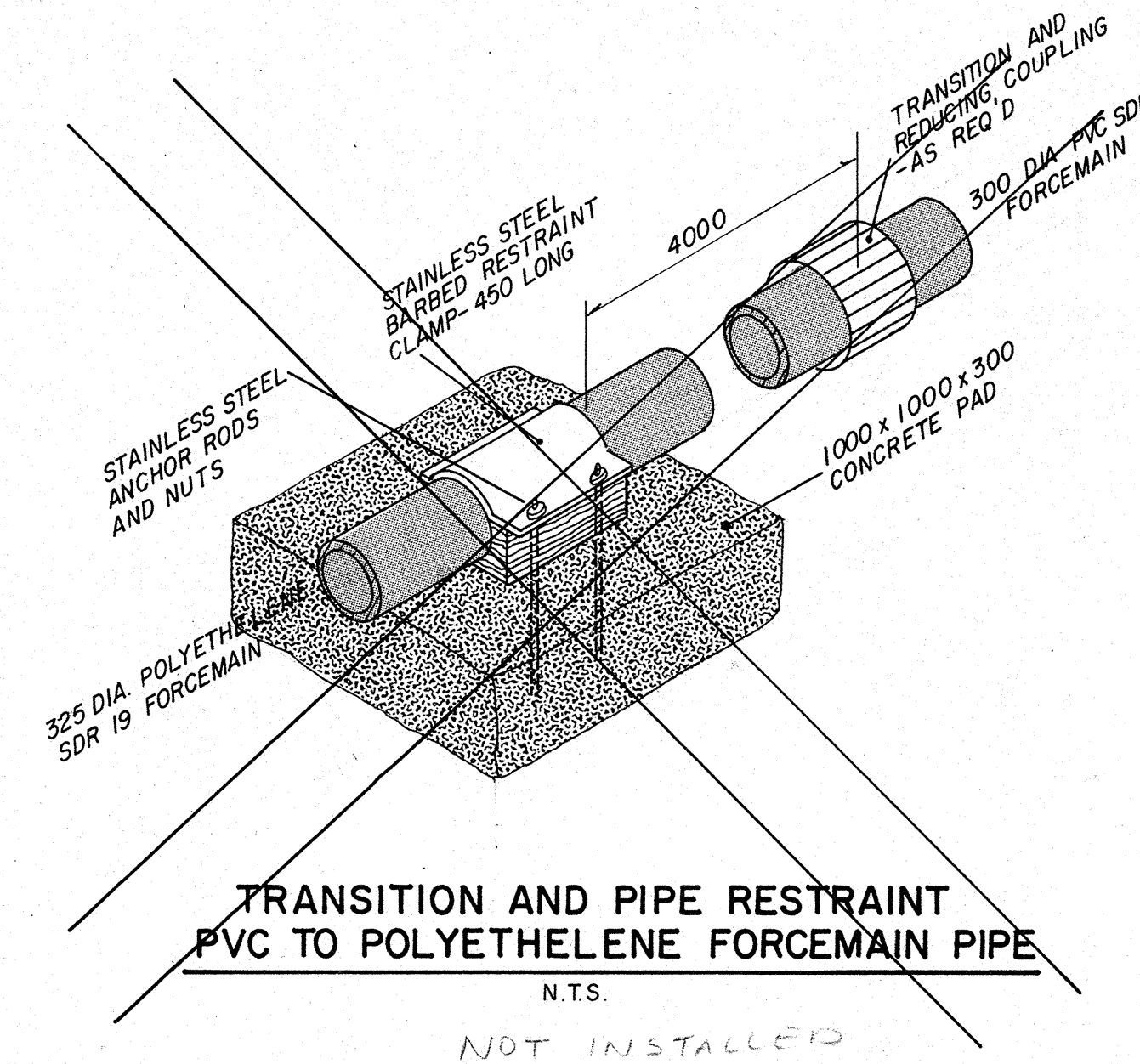
PLAN VIEW



ELEVATION VIEW

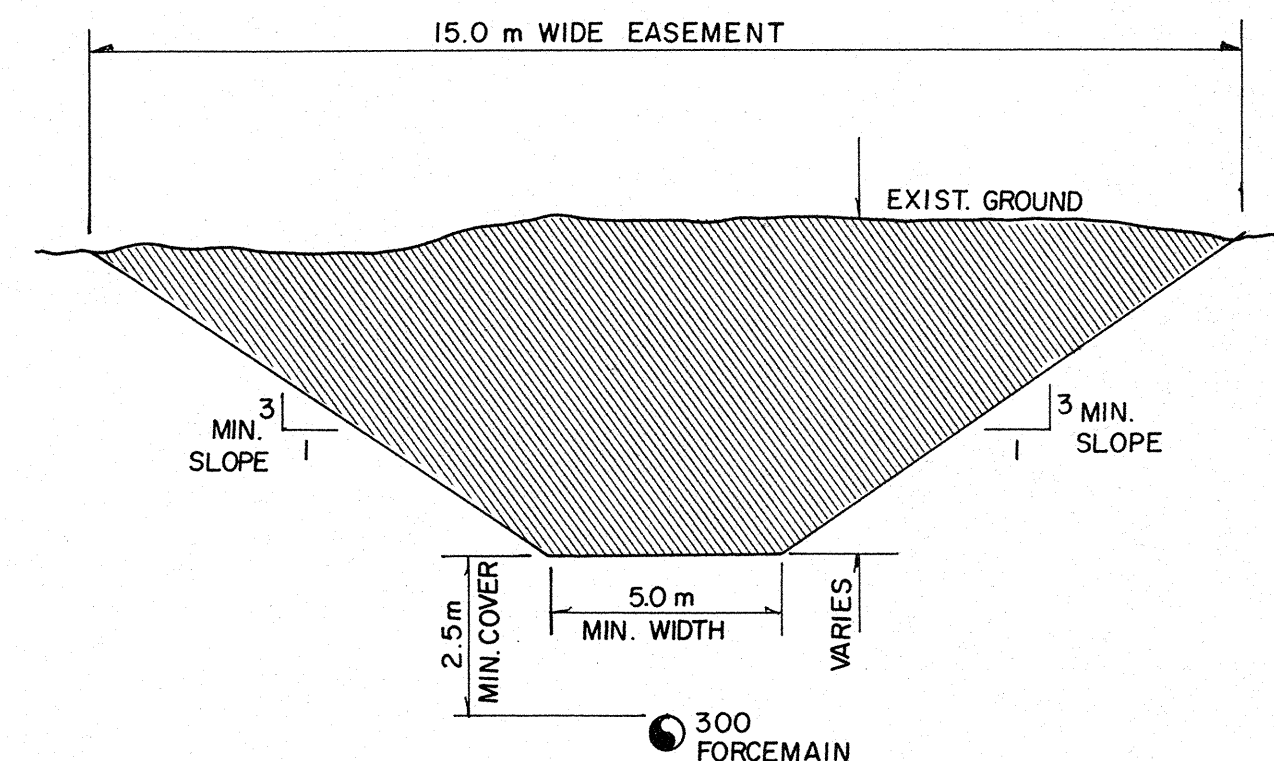
FORCEMAIN/MANHOLE TIE-IN DETAIL FOR MANHOLE 117

N.T.S.



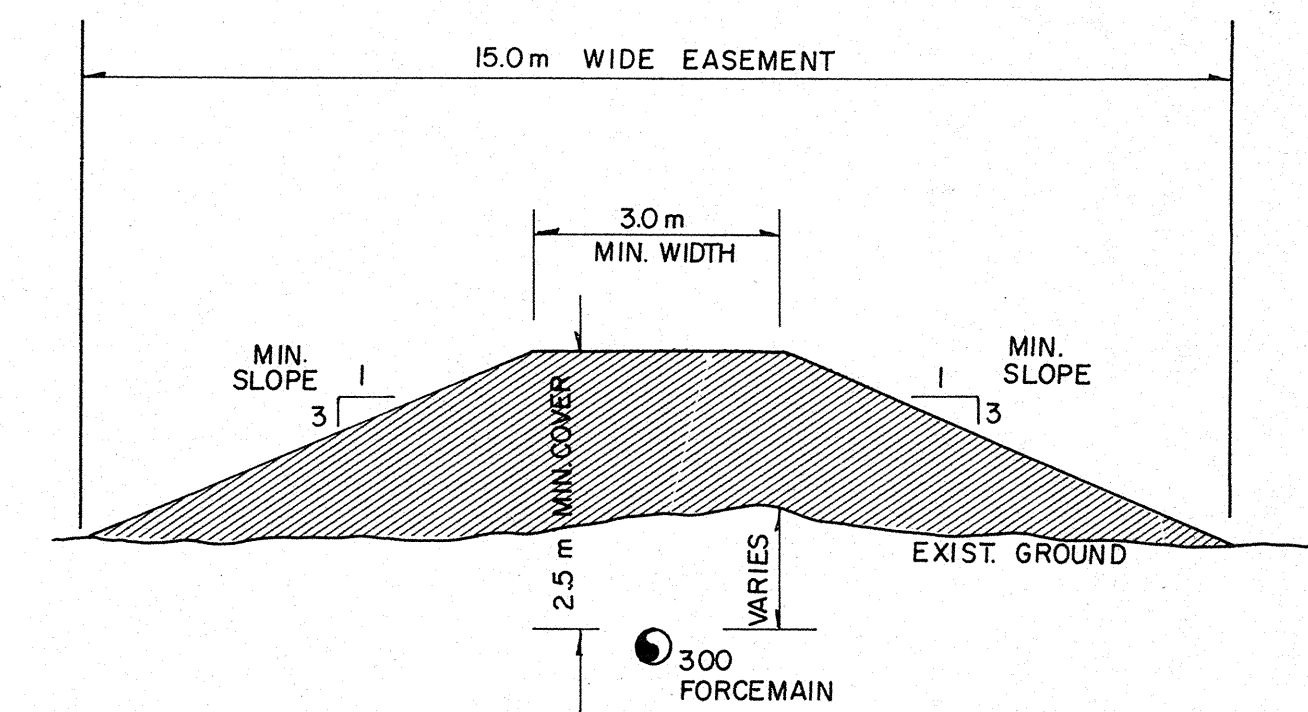
TRANSITION AND PIPE RESTRAINT PVC TO POLYETHELENE FORCEMAIN PIPE

N.T.S.



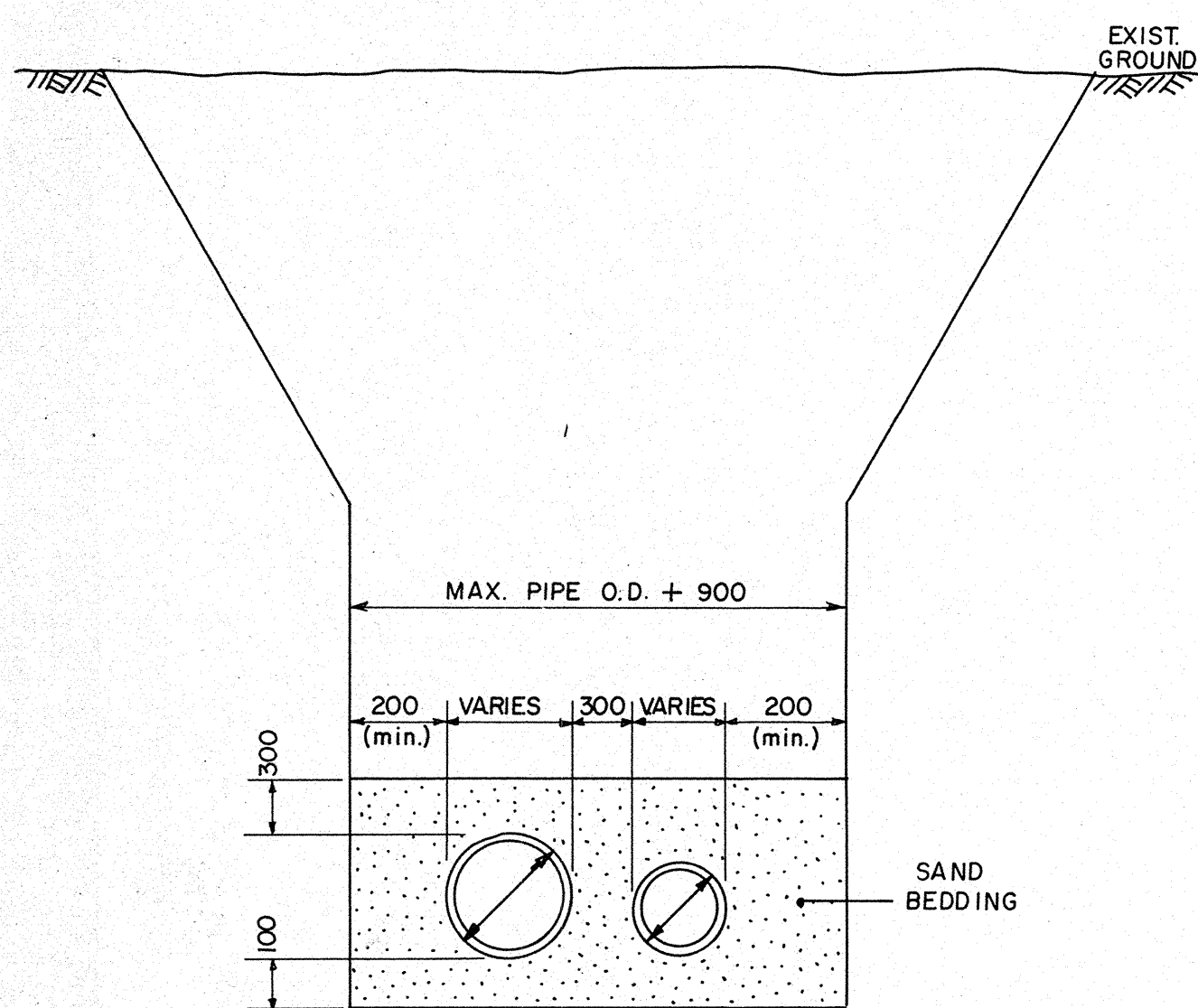
FORCEMAIN ALIGNMENT PRE-GRADING TYPICAL CUT SECTION

N.T.S.



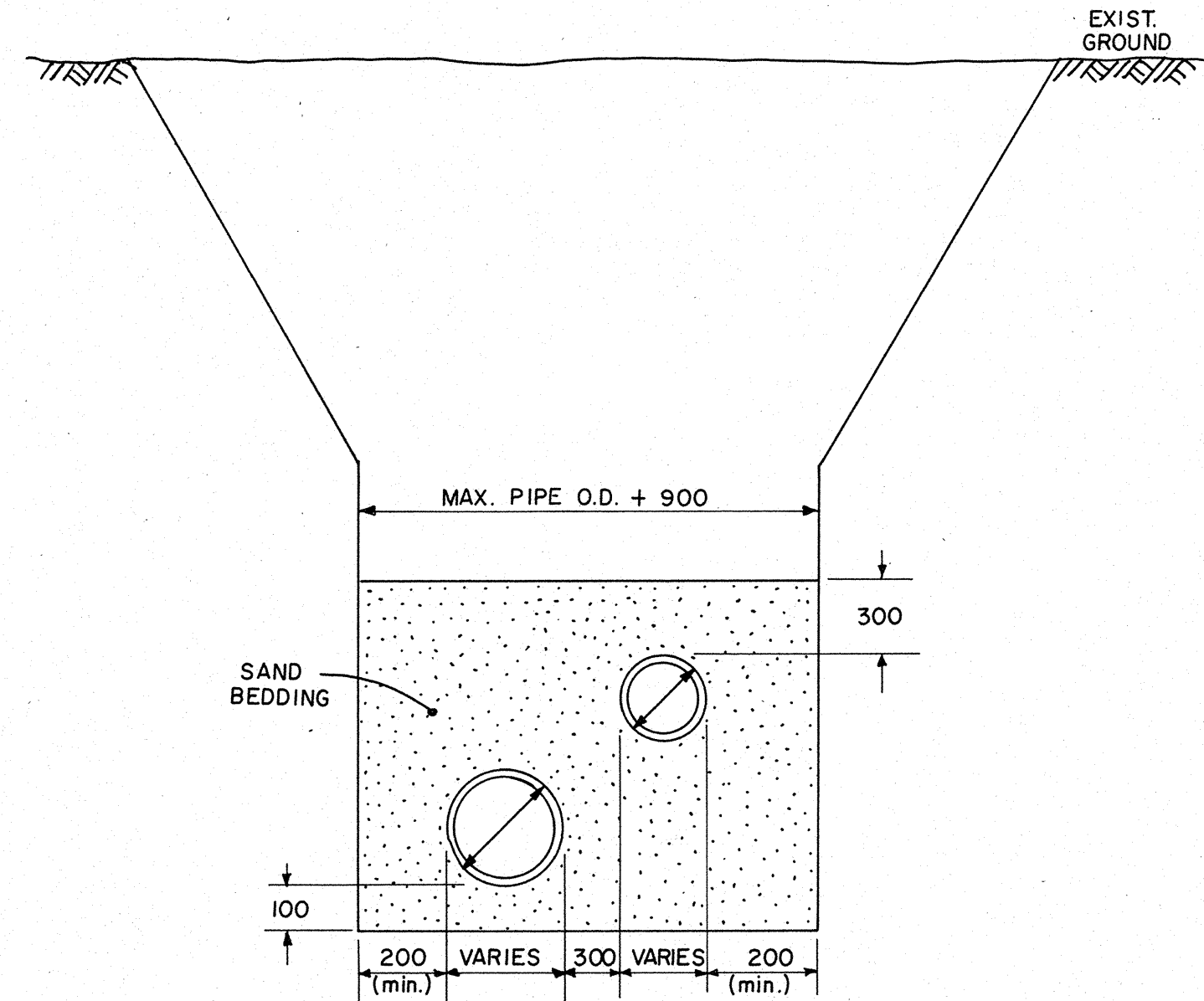
FORCEMAIN ALIGNMENT PRE-GRADING TYPICAL FILL SECTION

N.T.S.



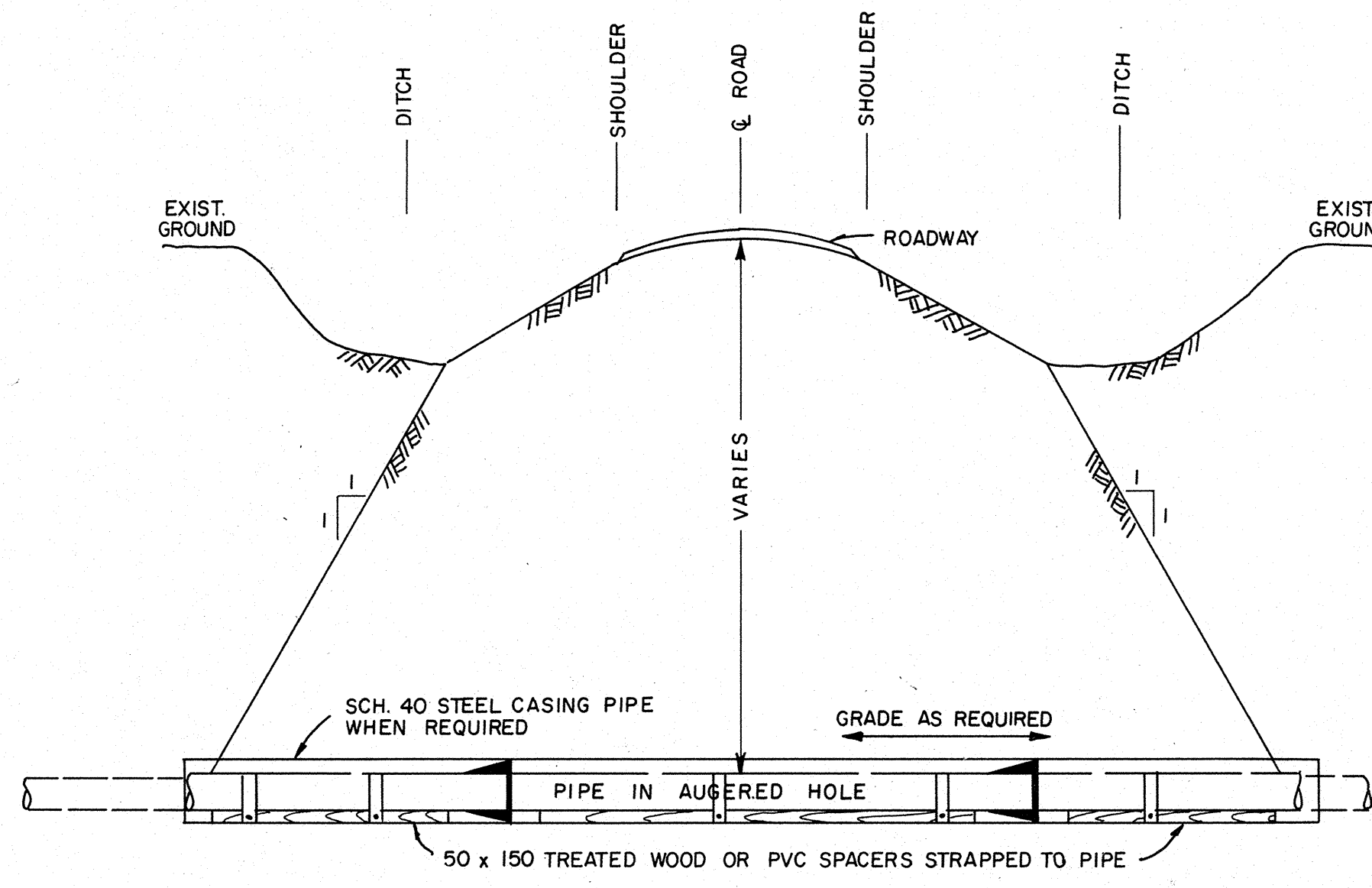
TYPICAL TWO PIPE TRENCH (SAME INVERT ELEVATION)

N.T.S.



TYPICAL TWO PIPE TRENCH (DIFFERENT INVERT ELEVATIONS)

N.T.S.



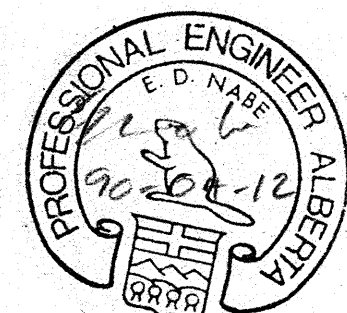
AUGERED HOLE

N.T.S.

LEGEND

**SIEMENS**  
SIEMENS ENGINEERING SERVICES LTD.  
**AS-BUILT**  
DATE: 9/02/08  
REVIEWED BY: [Signature]

**PERMIT TO PRACTICE**  
SIEMENS ENGINEERING SERVICES LTD.  
Signature: [Signature]  
Date: 90.02.12  
**PERMIT NUMBER: P 2398**  
The Association of Professional Engineers, Geologists and Geophysicists of Alberta



No.	DATE	DESCRIPTION	BY	APP
1	11/90	AS BUILT	DF	PM
REVISIONS				

SCALE	NOT TO SCALE	PROJECT No.	60-89-1
DESIGNED BY	EDN	DRAWN BY	DF
CHECKED BY	[Signature]	DATE	MAR., 1990

**SIEMENS**  
SIEMENS ENGINEERING SERVICES LTD.  
CIVIL & MUNICIPAL ENGINEERS  
DEVELOPMENT CONSULTANTS • PLANNERS

TRI-VILLAGE REGIONAL SEWAGE COMMISSION	
SUMMER VILLAGES OF VAL QUENTIN, ALBERTA BEACH AND SUNSET POINT	
SEWAGE COLLECTION SYSTEM	
DETAILS	
SHEET	OF DWG. No. D. 2